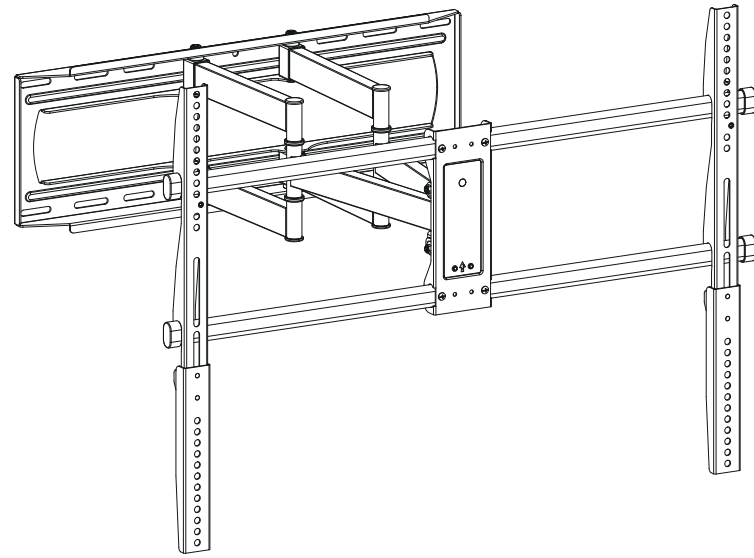




Full Motion TV Bracket - SFMXL800 Installation Guide



Errors and omissions excepted.
Copyright © 2024 AVSL Group Ltd, Unit 2 Bridgewater Park,
Taylor Road, Trafford Park, Manchester. M41 7JQ.

AVSL (Europe) Ltd, Unit 3D North Point House,
North Point Bus. Park, New Mallow Road, Cork, Ireland.

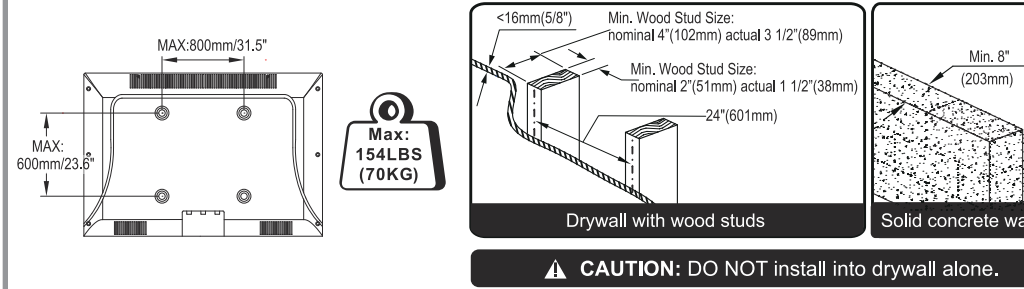
Safety Caution

Please read this instruction carefully before installation.
If you do not understand these instructions or have doubts about the safety of the installation, assembly or use of this product, please contact us.

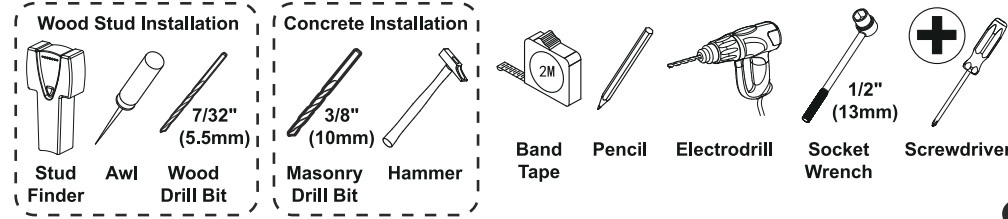
- This product is designed for use in wood stud or solid concrete wall.
- **DO NOT install into drywall alone.**
- The wall must be capable of supporting five times the weight of the TV and mount combined.
- Incorrect installation may result in product damage or body injury.

⚠ WARNING: This product contains small items that could be a choking hazard if swallowed.
Before starting assembly, verify all parts are included and undamaged. For parts shortage or damage, please contact us.

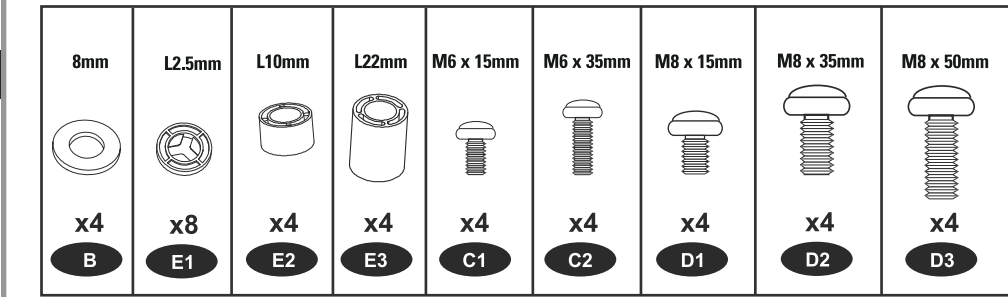
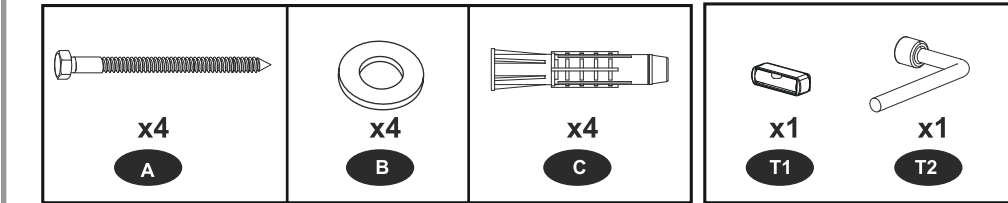
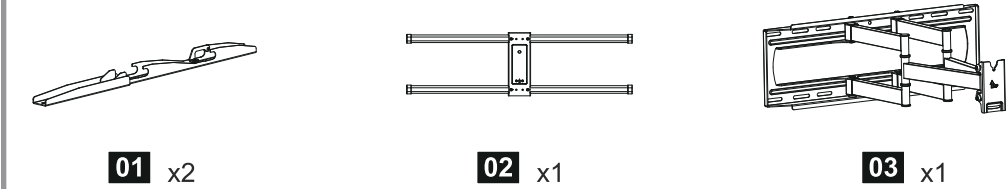
Must Check Before Getting Started



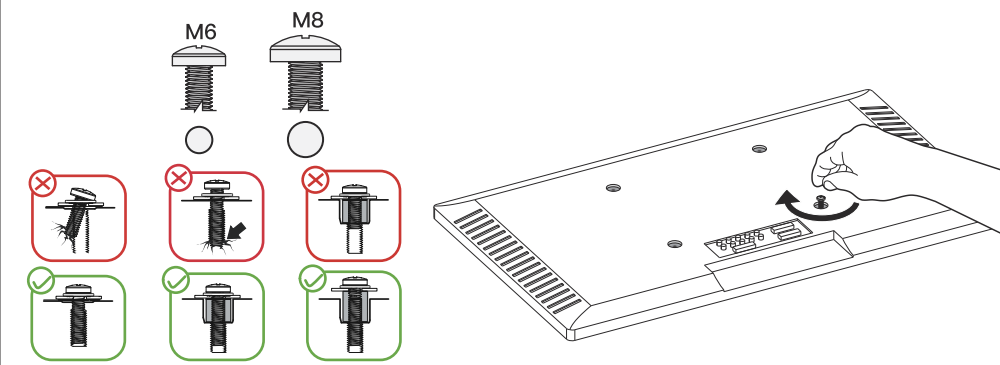
Installation Tools (Not Included)



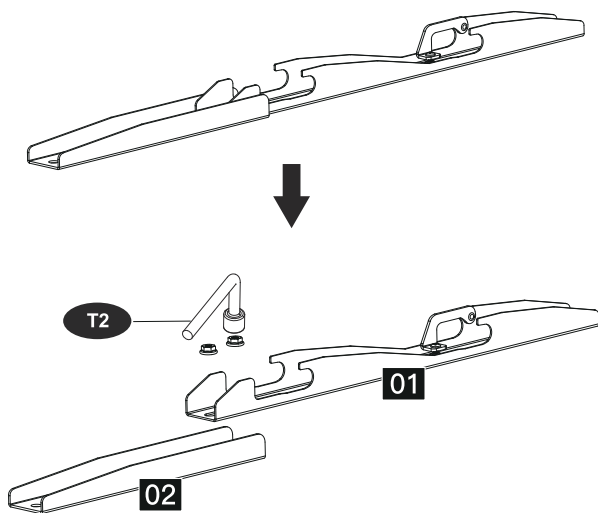
Hardware Included



Step 1-1 Select TV screw

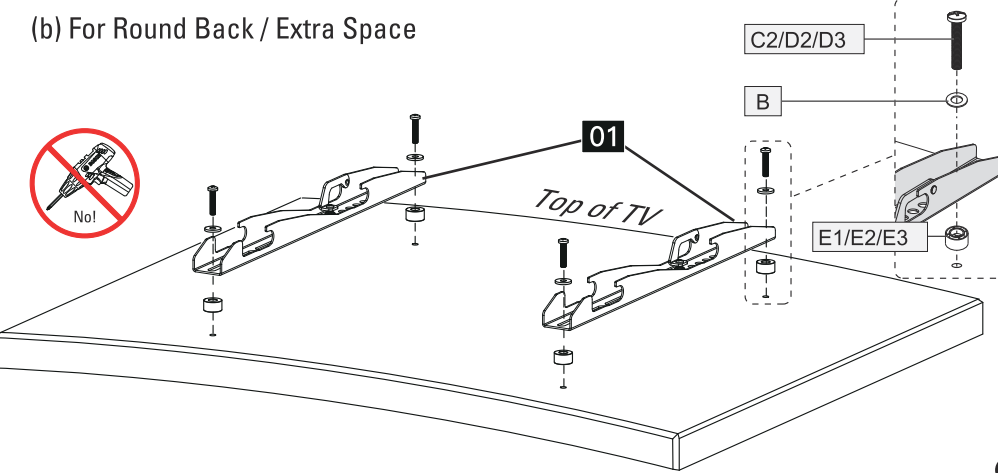
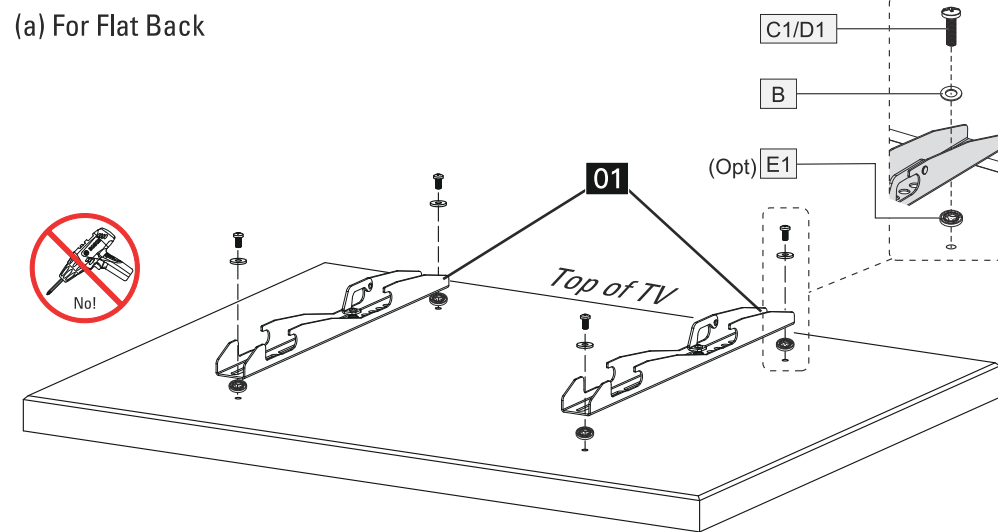


Opt: Used for TV VESA diagram smaller or equal 800*400mm



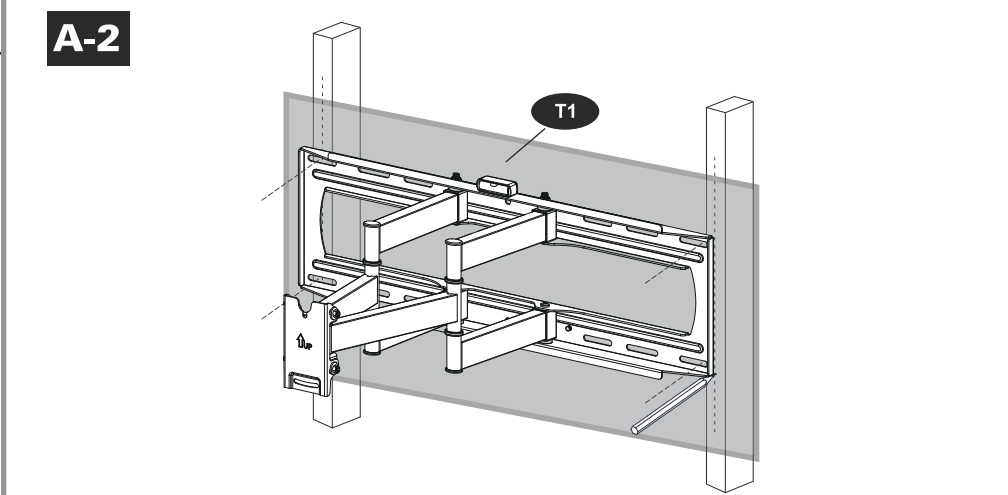
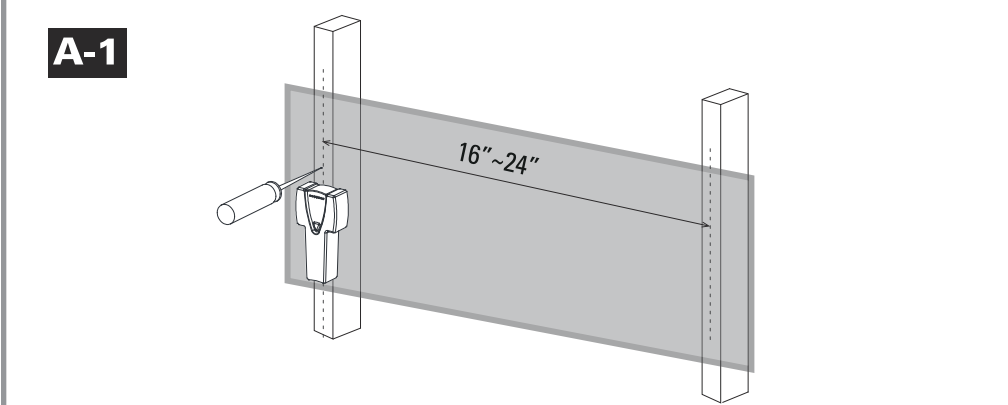
3

Step 1-2 Attach the bracket



4

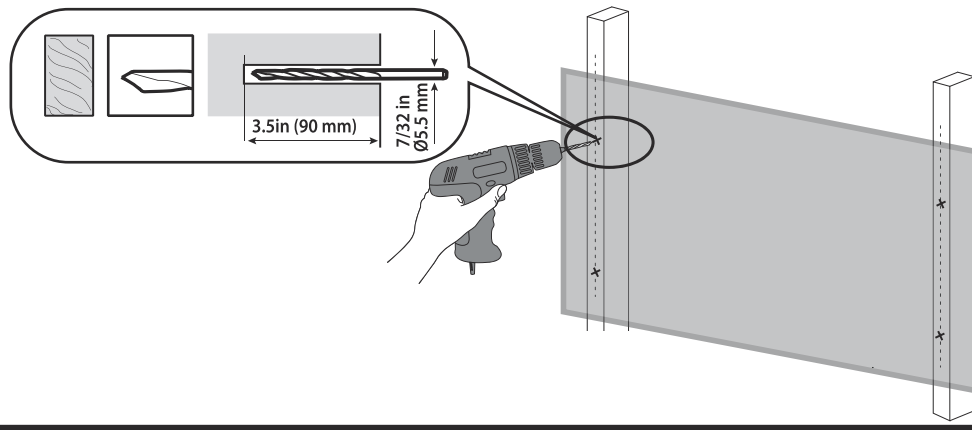
Step 2A Wall plate installation (wood stud)



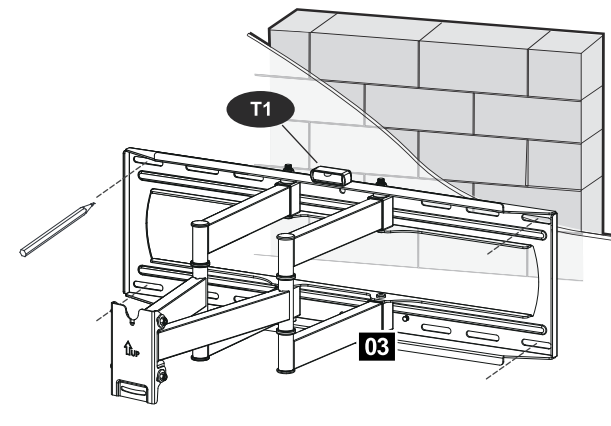
5

Step 2B Wall plate installation (concrete or brick)

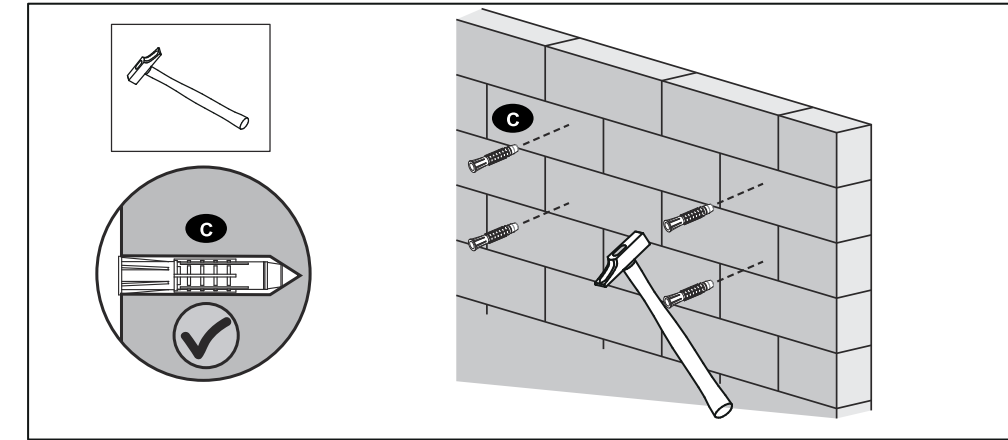
A-3



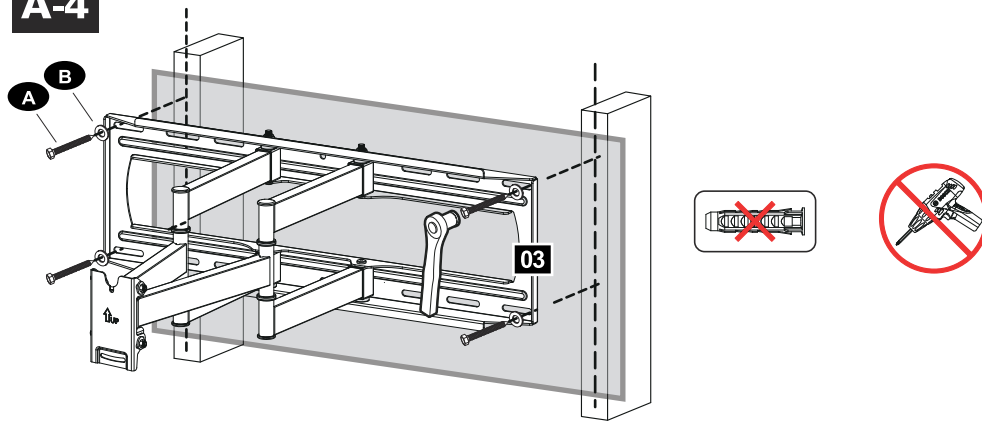
B-1



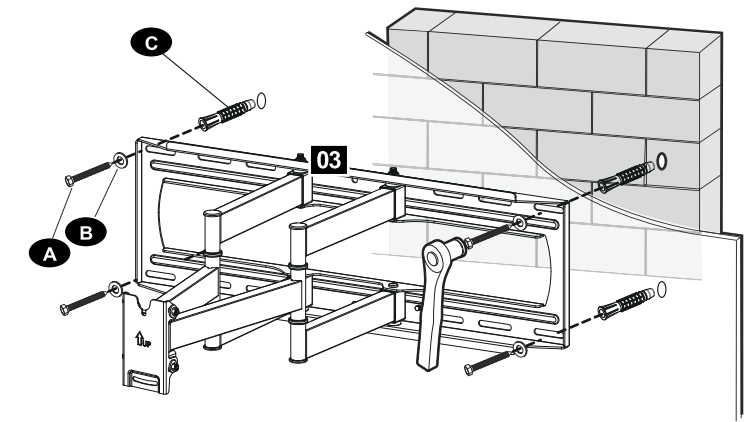
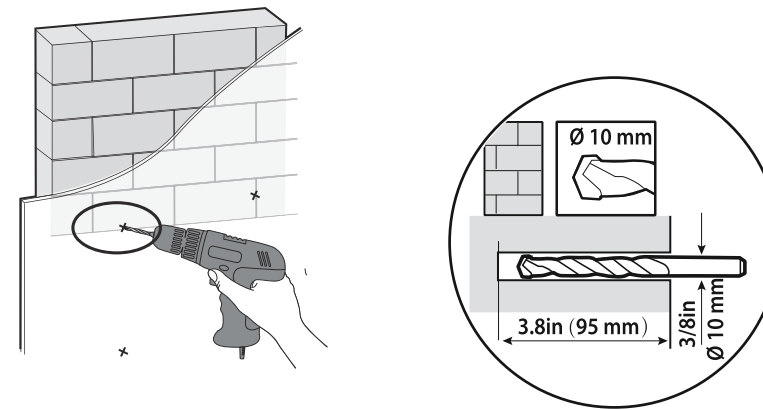
B-3



A-4



B-2



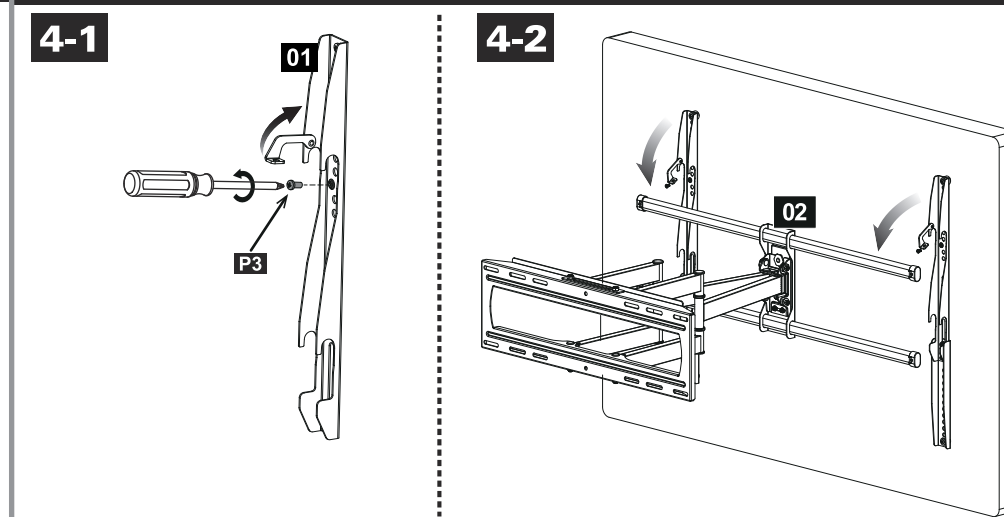
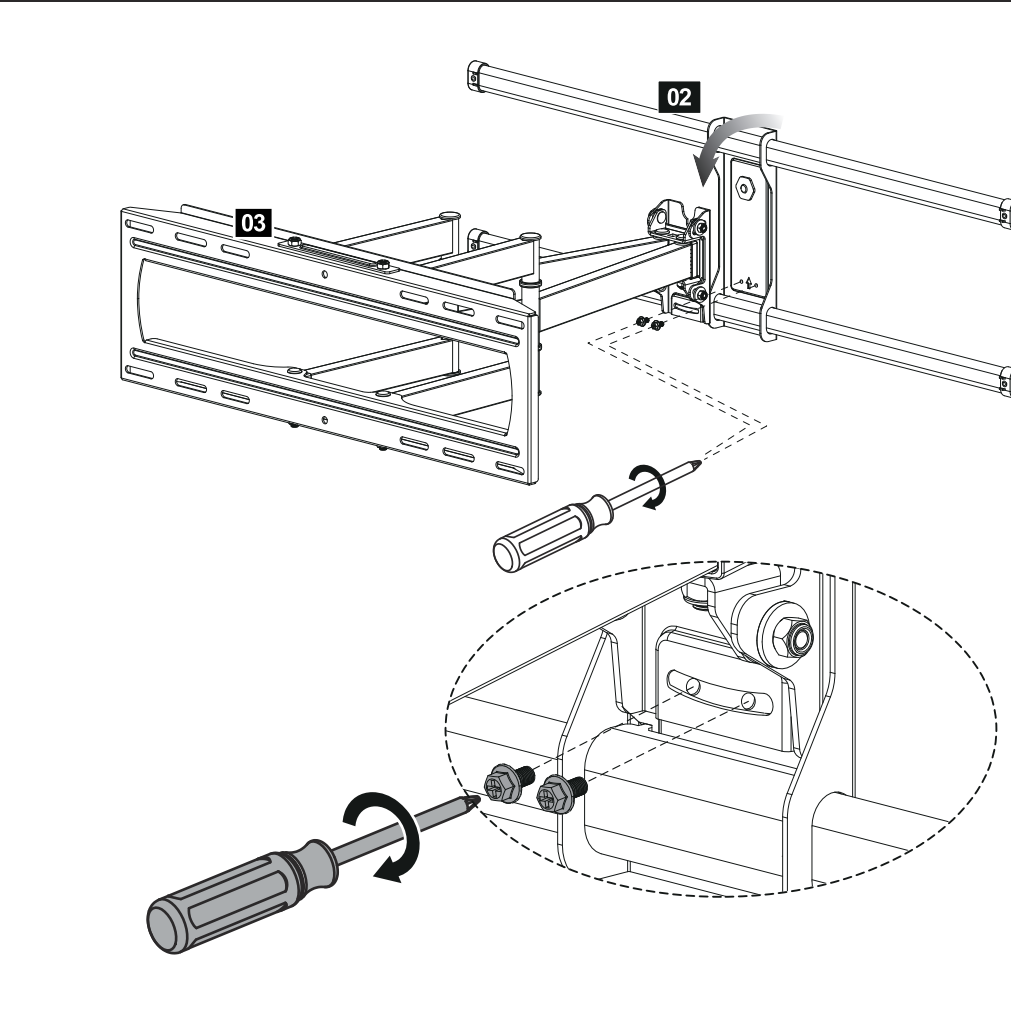
6

7

8

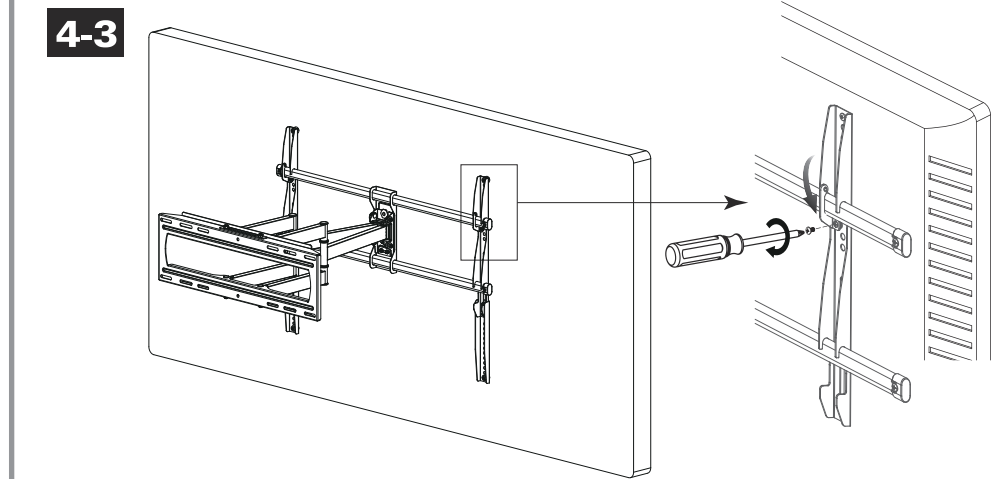
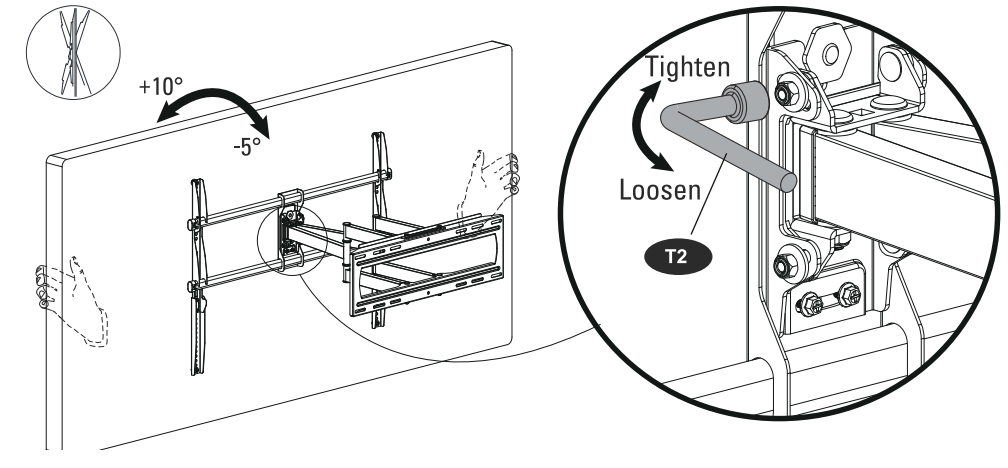
STEP 3 Install front support and wall bracket together

STEP 4 Secure the TV

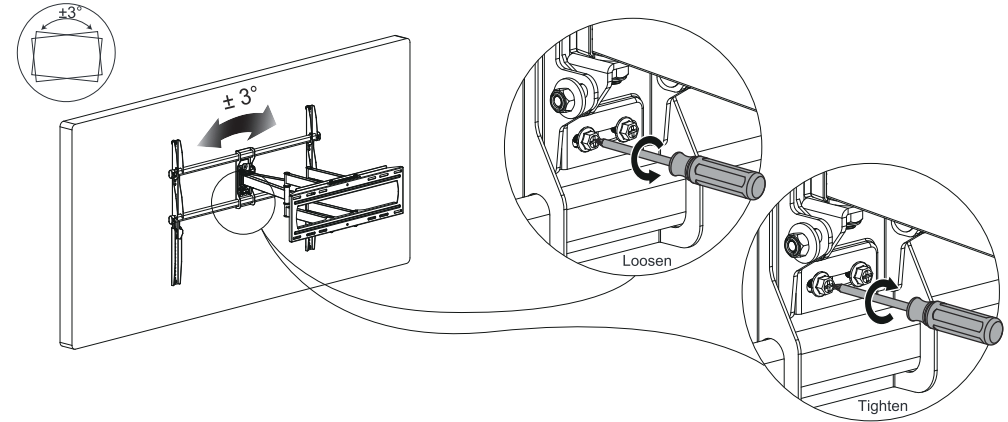


Adjustments

TV Tilting adjustment (-5°/+10°)



TV leveling adjustment (-3°/+3°)



9

10

11